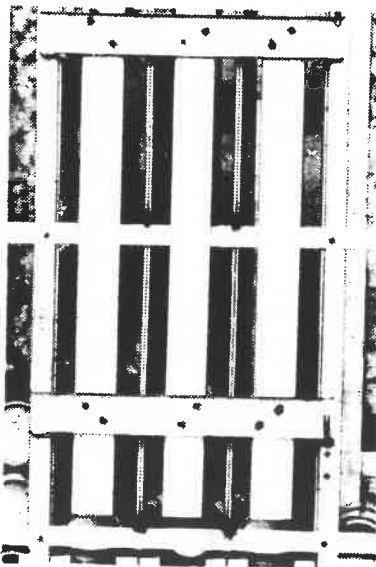


# DIXIE-NARCO

## SERVICE MANUAL AND PARTS LIST

001-2327AE thru 850-2374BE  
0001-2373CE thru 0750-2393CF

**Bottle / Double Depth Can Venders**



**Dual Red Cam Adaptables**

**DCB 156/93-6**

**DCB 228/132-6**

**DCB 264/156-6**

**DCB 318/183-6**

**DCB 304/176-8**

**DCB 352/208-8**

**DCB 424/244-8**



MANUFACTURED BY DIXIE-NARCO INC., RANSON, WV

The number 001 - 2327AE on the front cover of the manual is the beginning Serial Number for the Models listed on the front cover.

The number 850 - 2374BE is the ending Serial Number before introducing another Serial Number series which is: Beginning Serial Number 0001 2373CE.

Thus, a Serial Number series ends with Number 850 - 2374BE. The new Serial Number series begins with Number 0001 - 2373CE.

The letter C indicates the quarter of the calendar year in which the Vender was manufactured.

The letter E indicates the calendar year in which the Vender was manufactured.

Thus C = 3rd quarter

E = Year 1980

The date system started in 1976

Thus,

For a given year the first letter is the quarter, ie,

A = First Quarter

B = Second Quarter

C = Third Quarter

D = Fourth Quarter

The second letter is the Year, ie,

A = Year, 1976

B = Year, 1977

C = Year, 1978

D = Year, 1979

E = Year, 1980

F = Year, 1981

G = Year, 1982

H = Year, 1983

I = Year, 1984

J = Year, 1985



DCB 156/93-6  
Height: 56-3/4"  
Width: 28-3/8"  
Depth: 26"  
Shipping Wt.: 475 lbs.  
Capacity: Can, 12 oz. - 156  
Bottle, regular - 93

DCB 228/132-6  
Height: 66-3/8"  
Width: 28-3/8"  
Depth: 26"  
Shipping Wt.: 535 lbs.  
Capacity: Can, 12 oz. - 228  
Bottle, regular - 132

DCB 264/156-6  
Height: 72"  
Width: 28 3/8"  
Depth: 26"  
Shipping Wt.: 585 lbs.  
Capacity: Can, 12 oz. - 264  
Bottle, regular - 156

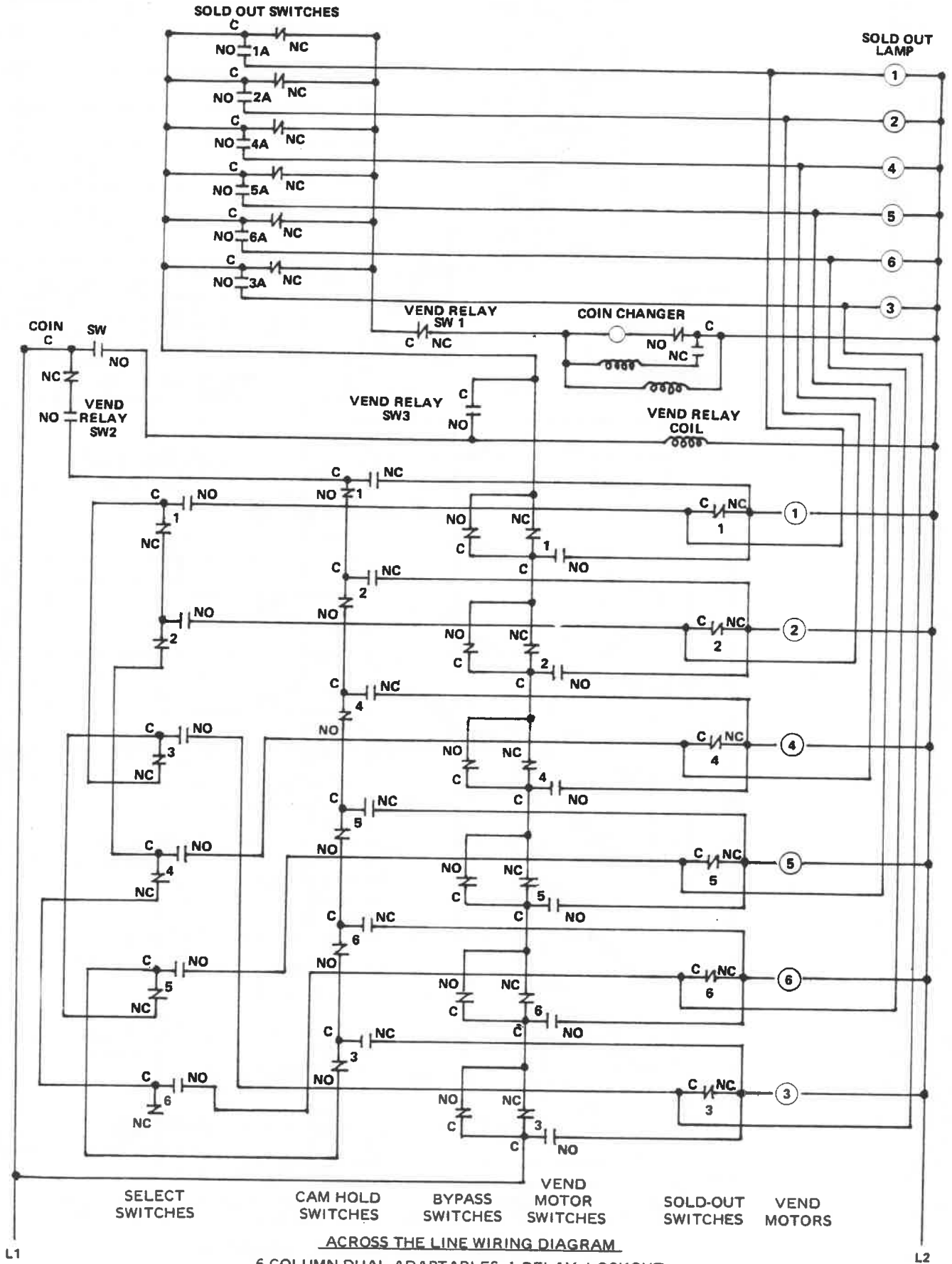
DCB 318/183-6  
Height: 79-1/2"  
Width: 28-3/8"  
Depth: 26"  
Shipping Wt.: 625 lbs.  
Capacity: Can, 12 oz. - 3/8  
Bottle, regular - 183

DCB 304/176-8  
Height: 66-3/4"  
Width: 37-1/8"  
Depth: 26"  
Shipping Wt: 665 lbs.  
Capacity: Can, 12 oz. - 304  
Bottle, regular - 176

DCB 352/208-8  
Height: 72  
Width: 37-1/8"  
Depth: 26"  
Shipping Wt.: 710  
Capacity: Can, 12 oz. - 352  
Bottle, regular - 208

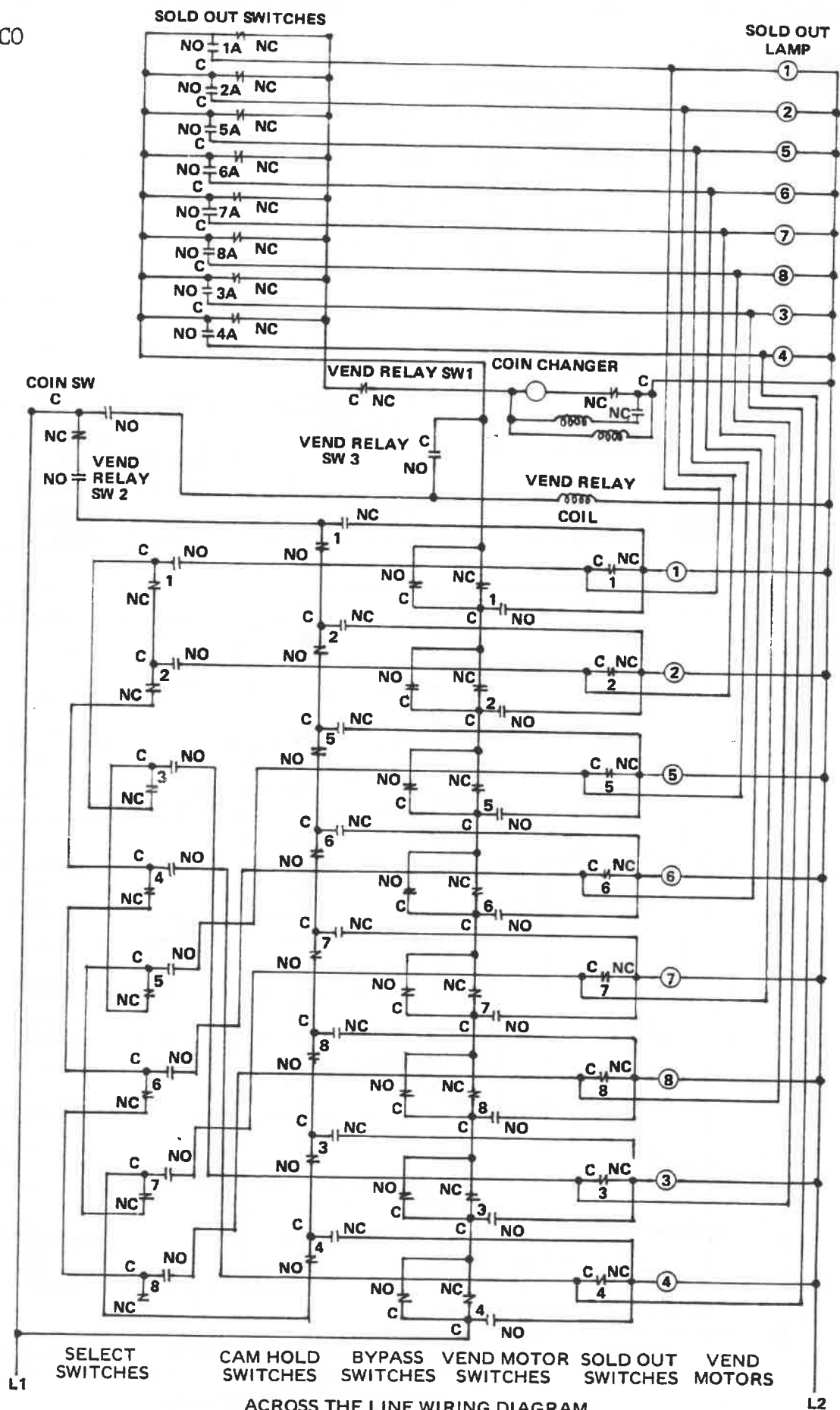
DCB 424/244-8  
Height: 79-1/2"  
Width: 37-1/8"  
Depth: 26"  
Shipping Wt.: 760  
Capacity: Can, 12 oz. - 424  
Bottle, regular - 244





ACROSS THE LINE WIRING DIAGRAM

6 COLUMN DUAL ADAPTABLES, 1 RELAY, LOCKOUT  
 ALL SWITCHES SHOWN IN POSITION WHEN VENDOR IS READY  
 TO ACCEPT COINS



SELECT SWITCHES CAM HOLD SWITCHES BYPASS SWITCHES VEND MOTOR SWITCHES SOLD OUT SWITCHES VEND MOTORS

ACROSS THE LINE WIRING DIAGRAM

8 COLUMN ADAPTABLES, 1 RELAY, LOCKOUT

ALL SWITCHES SHOWN IN POSITION WHEN VENDER IS READY TO ACCEPT COINS

PARTS  
CONTENTS LIST

MAIN DOOR . . . . . 58

INTERIOR DOOR PARTS . . . . . 62

INNER DOOR PARTS . . . . . 64

SELECTOR PANEL . . . . . 68

WIRING HARNESS — DOOR AND CABINET . . . . . 70

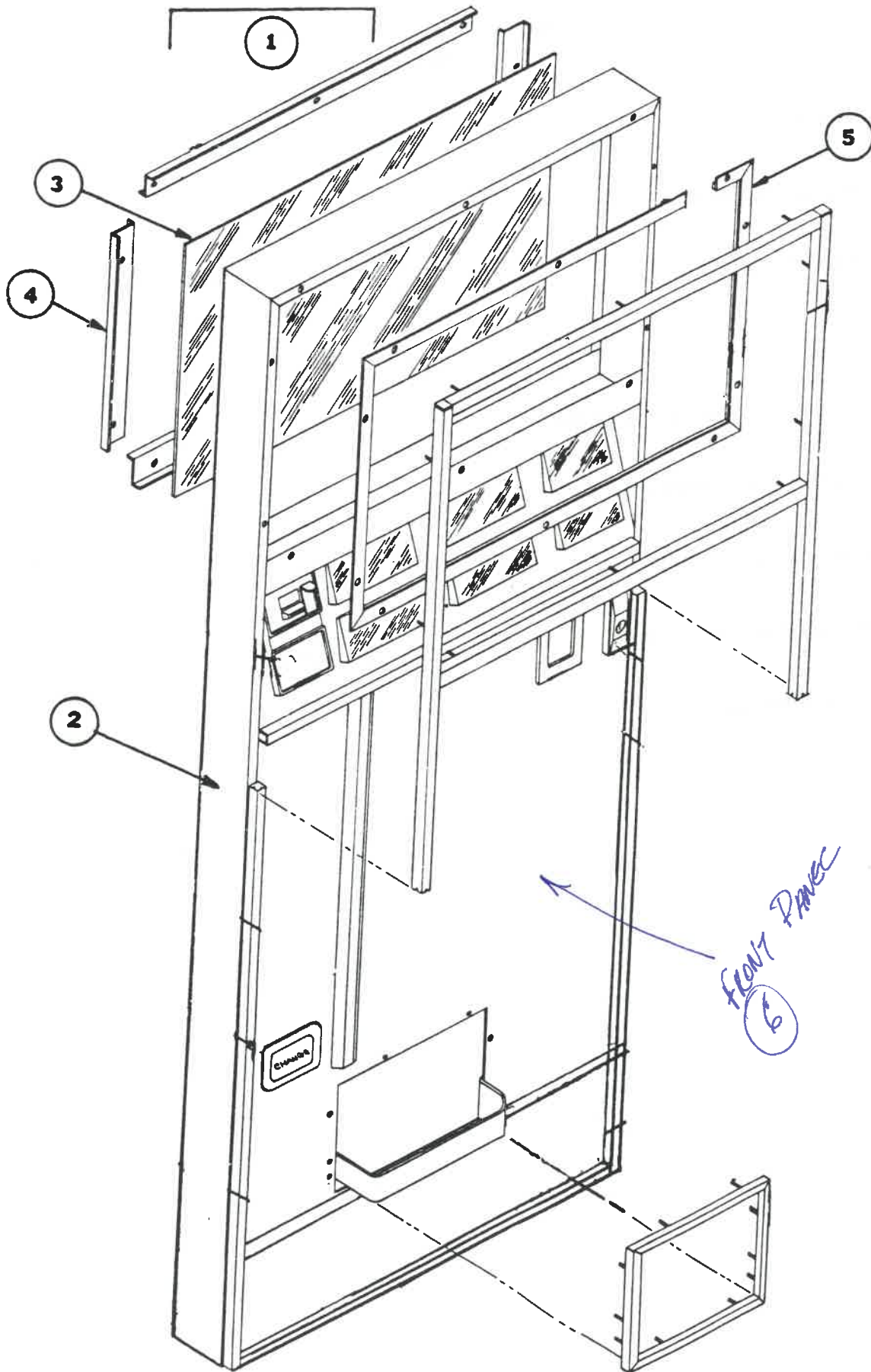
HINGES AND ASSY. LIFTER & ROLLER . . . . . 72

PULL—OUT HANDLE — NATIONAL . . . . . 74

CABINET AND VEND MECHANISM . . . . . 76

REFRIGERATION SYSTEM . . . . . 84

MAIN DOOR ASSEMBLY





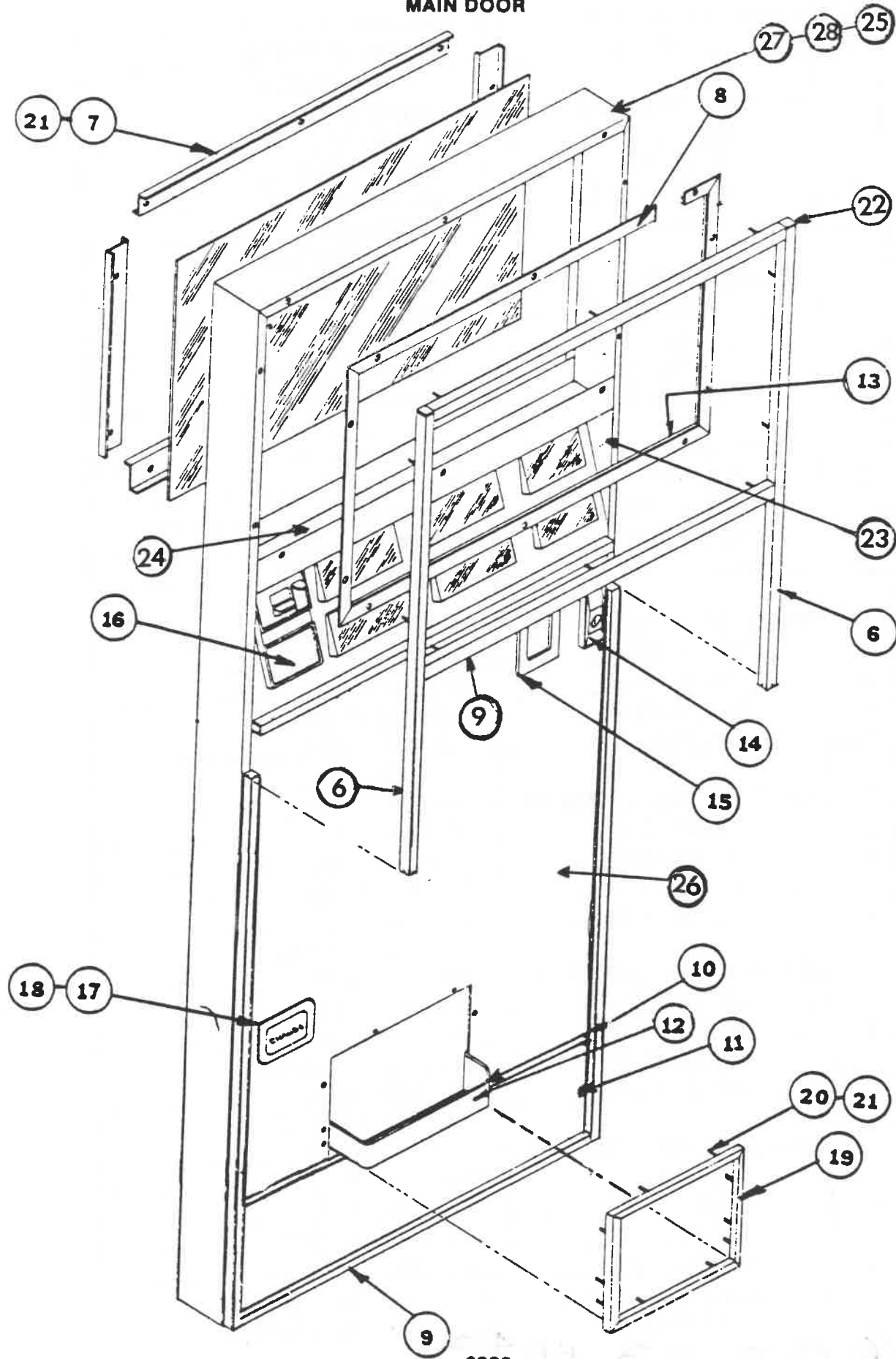
## MAIN DOOR

ITEM NO.	PART NUMBER	PART NAME AND DESCRIPTION
		DCB156/93-6
1	MUST SPECIFY MODEL & SERIAL NO.	Main Door Assembly
2	D207,050,300.43C	Main Door, W/A
3	805,001,830.01	Illuminated Sign
4	B207,050,020.13	Sign Retainer, sides
5	A208,050,240.23	Sign Frame, side
		DCB228/132-6
1	MUST SPECIFY MODEL & SERIAL NO.	Main Door Assembly
2	D214,050,300,43B	Main Door, W/A
3	805,001,830.01	Illuminated Sign
4	B207,050,020.13	Sign Retainer, Sides
5	A208,050,240.23	Sign Frame, Sides
		DCB264/156-6
1	MUST SPECIFY MODEL & SERIAL NO.	Main Door Assembly
2	D214,050,300.43D	Main Door, W/A
3	805,002,130.01	Illuminated Sign
4	A215,050,060.03	Sign Retainer, Sides
5	A216,050,030.03	Sign Frame, Sides
		DCB318/183-6
1	MUST SPECIFY MODEL & SERIAL NO.	Main Door Assembly
2	D214,050,300.43A	Main Door, W/A
3	805,001,840.01	Illuminated Sign
4	B214,050,030.23	Sign Retainer, Sides
5	A214,050,020.13	Sign Frame, Sides
		DCB304/176-8
1	MUST SPECIFY MODEL & SERIAL NO.	Main Door Assembly
2	D211,050,300.63C	Main Door, W/A
3	805,001,850.01	Illuminated Sign
4	A209,050,010.23	Sign Retainer, Sides
5	A209,050,030.13	Sign Frame, Sides
		DCB352/208-8
1	MUST SPECIFY MODEL & SERIAL NO.	Main Door Assembly
2	D211,050,300.63B	Main Door, W/A
3	805,001,860.01	Illuminated Sign
4	B210,050,010.13	Sign Retainer, Sides
5	A210,050,020.13	Sign Frame, sides
		DCB424/244-8
1	MUST SPECIFY MODEL & SERIAL NO.	Main Door Assembly
2	D211,050,300.63A	Main Door, W/A
3	805,001,870.01	Illuminated Sign
4	B211,050,020.13	Sign Retainer, Sides
5	B211,050,030.03	Sign Frame, Sides

WHEN ORDERING PARTS, INDICATE MODEL # AND SERIAL # OF VENDER.  
ALL PRICES ARE SUBJECT TO CHANGE WITHOUT NOTICE.

⑥ 176,150,120.73 FOR 432  
0296

MAIN DOOR

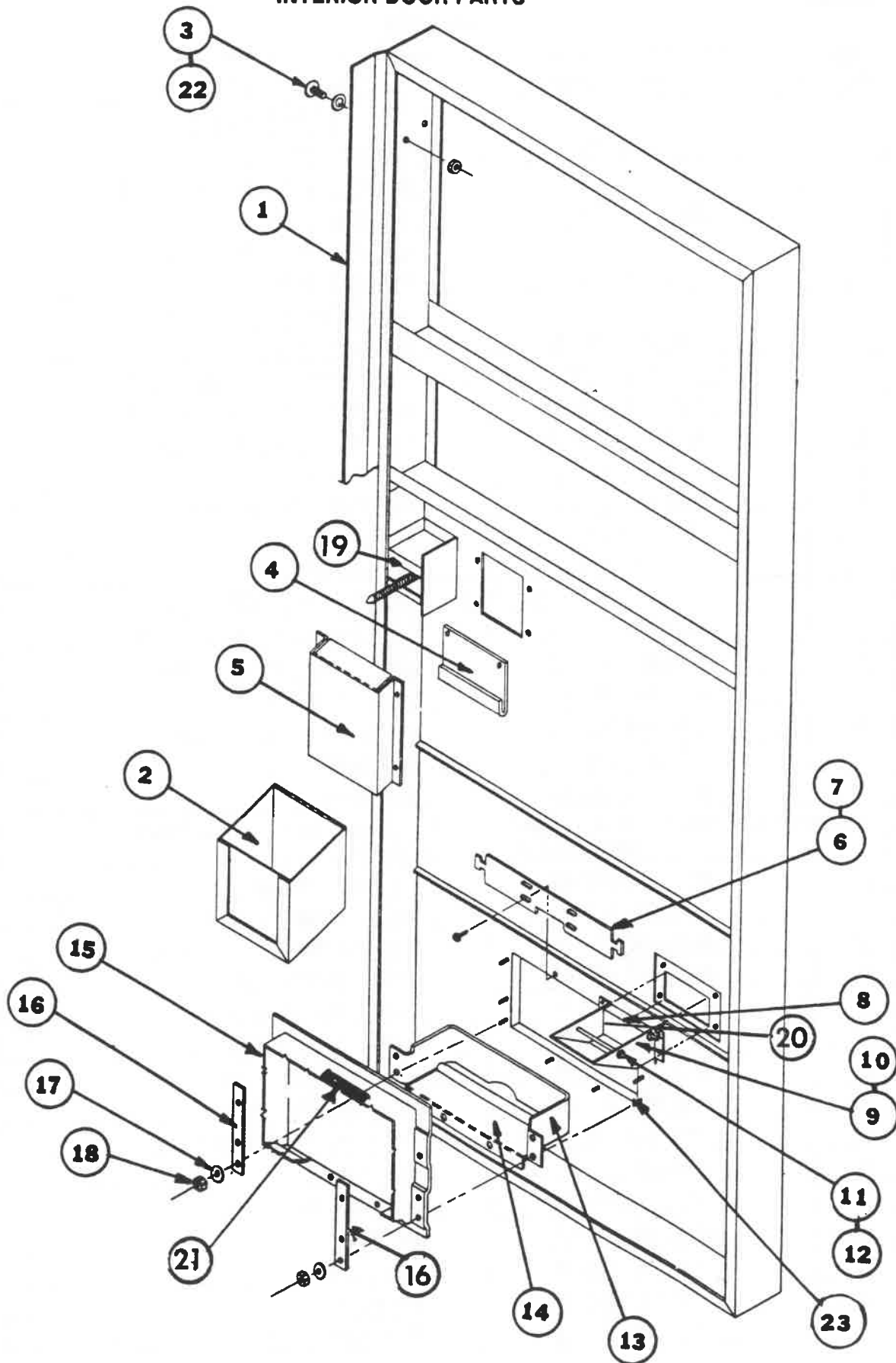


## MAIN DOOR

ITEM NO.	PART NUMBER	PART NAME AND DESCRIPTION
6	801,602,700.01	DCB156/93-6 Vertical Trim
6	A801,602,740.01	DCB228/132-6 - DCB304/176-8 Vertical Trim
6	A801,602,750.01	DCB264/156-6 - DCB352/208-8 Vertical Trim
6	A801,602,730.01	DCB318/183-6 - DCB424/244-8 Vertical Trim
7	B207,050,010.23	DCB156/93-6 - DCB228/132-6 - DCB264/156-6 - DCB318/183-6 Sign Retainer, Top & Bottom
8	B208,050,250.13	Sign Frame, Top & Bottom
9	A801,602,690.01	Horizontal Trim
10	A801,602,520.01	Kickplate Divider Strip
11	C207,050,070.73	Kickplate
27	169,050,340.83	Rain Guard
7	B209,050,020.23	DCB304/176-8 - DCB352/208-8 - DCB424/244-8 Sign Retainer, Top & Bottom
8	B211,050,040.13	Sign Frame, Top & Bottom
9	A801,602,680.01	Horizontal Trim
10	A801,602,530.01	Kickplate Divider Strip
11	C211,050,070.83	Kickplate
28	B164,151,141.53	Ran Guard
12	B231,050,300.03	DCB156/93-6 - DCB228/132-6 - DCB264/156-6 - DCB318/183-6 - DCB304/176-8 Discharge Member
13	903,600,410.01	Gasket (Specify Model)
14	A801,501,860.31	Pull Out Handle (Complete)
15	B801,303,500.41	Bezel, Bottle Opener
16	213,010,600.04	Coin Insert Assembly
17	B801,303,490.51	Bezel, Coin Return Cup
18	900,300,110.01	Screw, S/M #6 x 1/4
19	B801,602,660.01	Trim, Delivery Port
20	A900,400,350.31	Tee Bolt, #8-32 x 3/4
21	900,800,500.01	Keys Nut
22	801,803,940.01	Extrusion Cap
23	B169,050,071.03	End Channel
24	901,901,470.01	Clear Plastic
25	901,100,500.01	Pop Rivet
26	801,901,760.01	Blue Vinyl (Specify Model - Door)

WHEN ORDERING PARTS INDICATE MODEL # AND SERIAL # OF VENDER.  
ALL PRICES ARE SUBJECT TO CHANGE WITHOUT NOTICE.

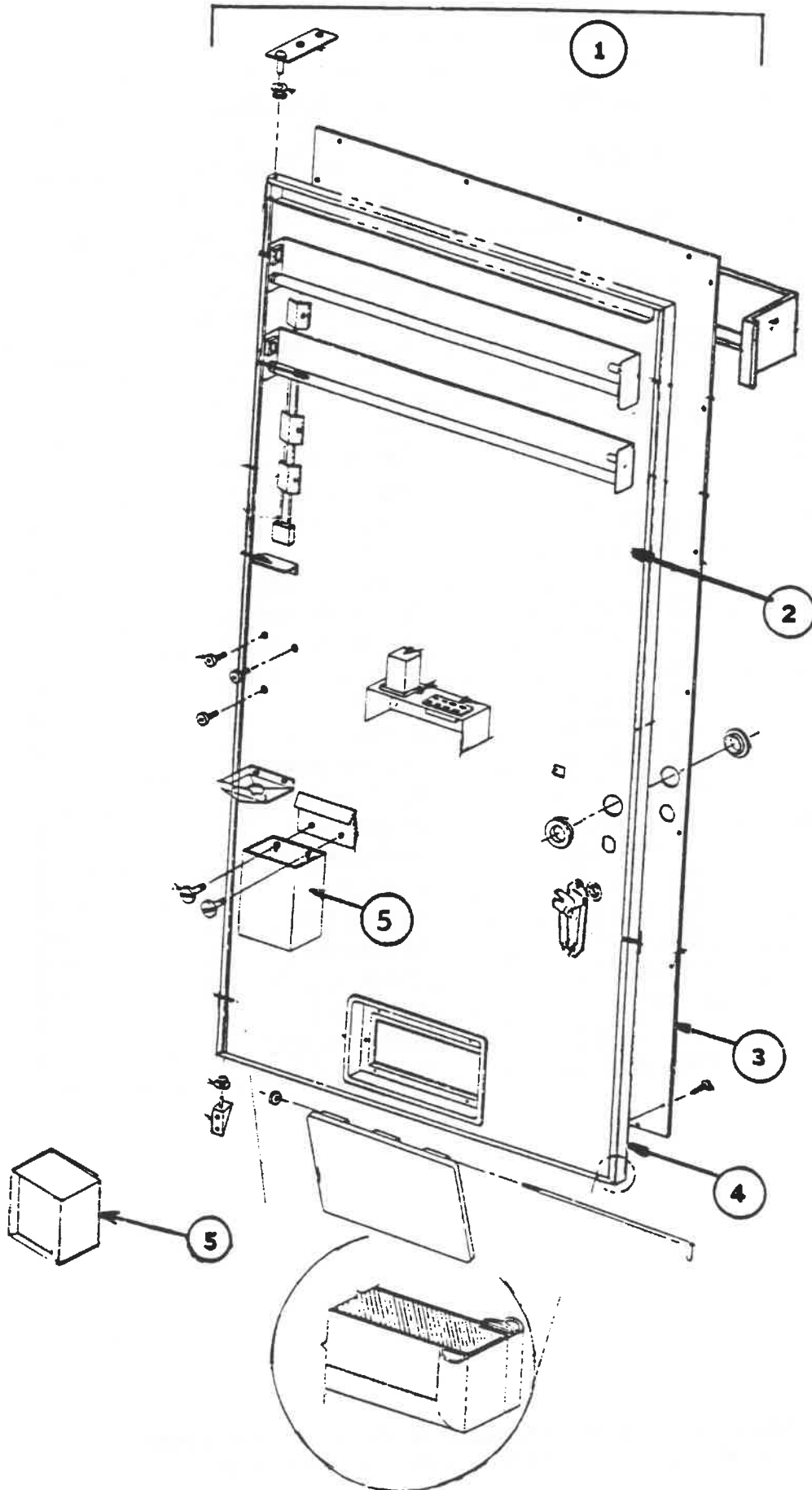
INTERIOR DOOR PARTS



INTERIOR DOOR PARTS

ITEM NO.	PART NUMBER	PART NAME AND DESCRIPTION
1	C168,050,330.93	DCB156/93-6 Protective Plate, Door
1	C166,150,330.83	DCB228/132-6 - DCB304/176-8 Protective Plate, Door
1	C165,150,330.83	DCB264/156-6 - DCB352/208-8 Protective Plate, Door
1	C164,150,331.03	DCB318/183-6 - DCB424/244-8 Protective Plate, Door
DCB156/93-6 - DCB228/132-6 - DCB264/156-6 - DCB318/183-6 - DCB304/176-8 DCB352/208-8 - DCB424/244-8		
2	B211,051,400.03	Crown Catcher, S/A
3	900,201,200.01	Carriage Bolt and Nut
4	A211,050,230.23	Hanger, Crown Catcher
5	B73,052,161.23	Housing, Crown Puller
6	B172,050,031.33	Closure Strip
7	900,600,230.02	Screw, S/M #8 x 1/2
8	B801,803,930.11	Coin Return Door
9	B208,051,400.13	Coin Return Cup, S/A
10	900,300,110.01	Screw, S/M #6 x 1/4
11	A900,501,820.01	Hinge Pin
12	900,900,900.01	Retaining Ring
13	B231,050,300.03	Discharge Member
14	A172,050,300.73	Bumper Assembly
15	801,804,220.01	Delivery Chute
16	B169,050,370.93	Reinforcement Strip
17	900,700,060.01	Washer #8
18	900,800,500.01	Keps Nut 8-32
19	801,501,620.01	Latch Strike
20	A176,150,140.03	Closure Angle Coin Cup
21	A176,150,330.13	Port Retainer
22	900,700,710.01	Lockwasher, 1/4-20
23	A900,400,350.01	T-Bolt, 8-32 x 3/4

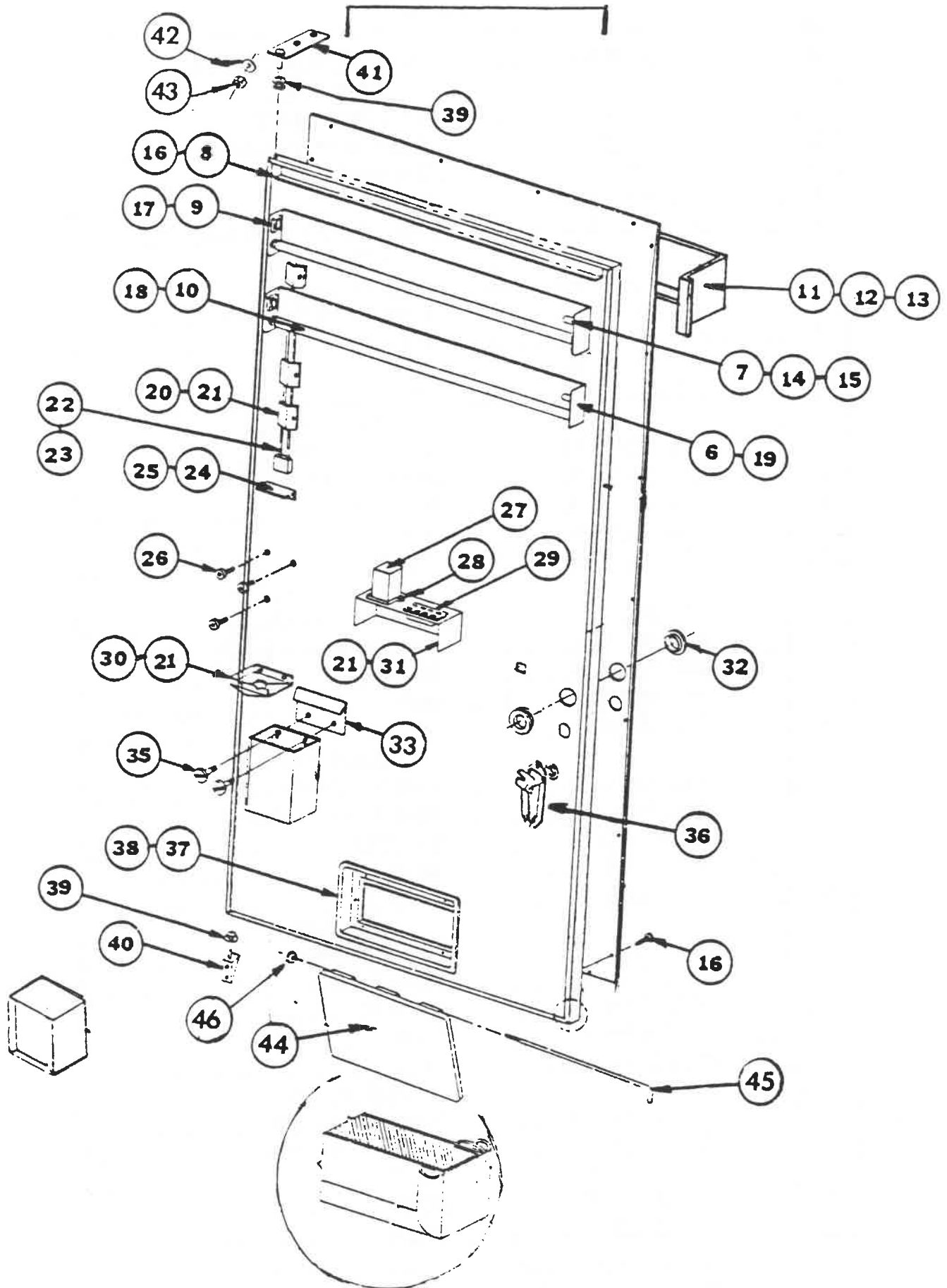
WHEN ORDERING PARTS INDICATE MODEL # AND SERIAL # OF VENDER.  
ALL PRICES ARE SUBJECT TO CHANGE WITHOUT NOTICE.



## INNER DOOR

ITEM NO.	PART NUMBER	PART NAME AND DESCRIPTION
		DCB156/93-6
1	D214,050,100.83C	Inner Door Complete
2	D173,150,300.53	Foamed Assembly w/gasket
3	C173,150,020.73	Rear Panel
4	801,804,010.01	Gasket
5	B168,051,500.33	Cash Box, located in main door
		DCB228/132-6
1	D214,050,100.83B	Inner Door Complete
2	D172,150,300.53	Foamed Assembly w/gasket
3	C172,150,020.83	Rear Panel
4	801,804,020.01	Gasket
5	C172,150,600.13	Cash Box
		DCB264/156-6
1	D214,050,100.83D	Inner Door Complete
2	D215,050,400.43	Foamed Assembly w/gasket
3	C215,050,050.43	Rear Panel
4	801,804,030.01	Gasket
5	C172,150,600.13	Cash Box
		DCB318/183-6
1	D214,050,100.83A	Inner Door Complete
2	D213,050,300.73	Foamed Assembly w/gasket
3	D213,050,021.03	Rear Panel
4	801,804,040.01	Gasket
5	C172,150,600.13	Cash Box
		DCB304/176-8
1	D211,150,100.73C	Inner Door Complete
2	D178,150,300.53	Foamed Assembly w/gasket
3	C178,150,020.73	Rear Panel
4	801,804,050.01	Gasket
5	B176,151,100.13	Cash Box
		DCB352/208-8
1	D211,150,100.73B	Inner Door Complete
2	D177,151,300.53	Foamed Assembly w/gasket
3	C177,150,020.73	Rear Panel
4	801,804,060.01	Gasket
5	B176,151,100.13	Cash Box
		DCB424/244-8
1	D211,150,100.73A	Inner Door Complete
2	D176,150,300.53	Foamed Assembly w/gasket
3	C176,150,020.63	Rear Panel
4	801,804,070.01	Gasket
5	B176,151,100.13	Cash Box

WHEN ORDERING PARTS INDICATE MODEL # AND SERIAL # OF VENDER  
ALL PRICES ARE SUBJECT TO CHANGE WITHOUT NOTICE.



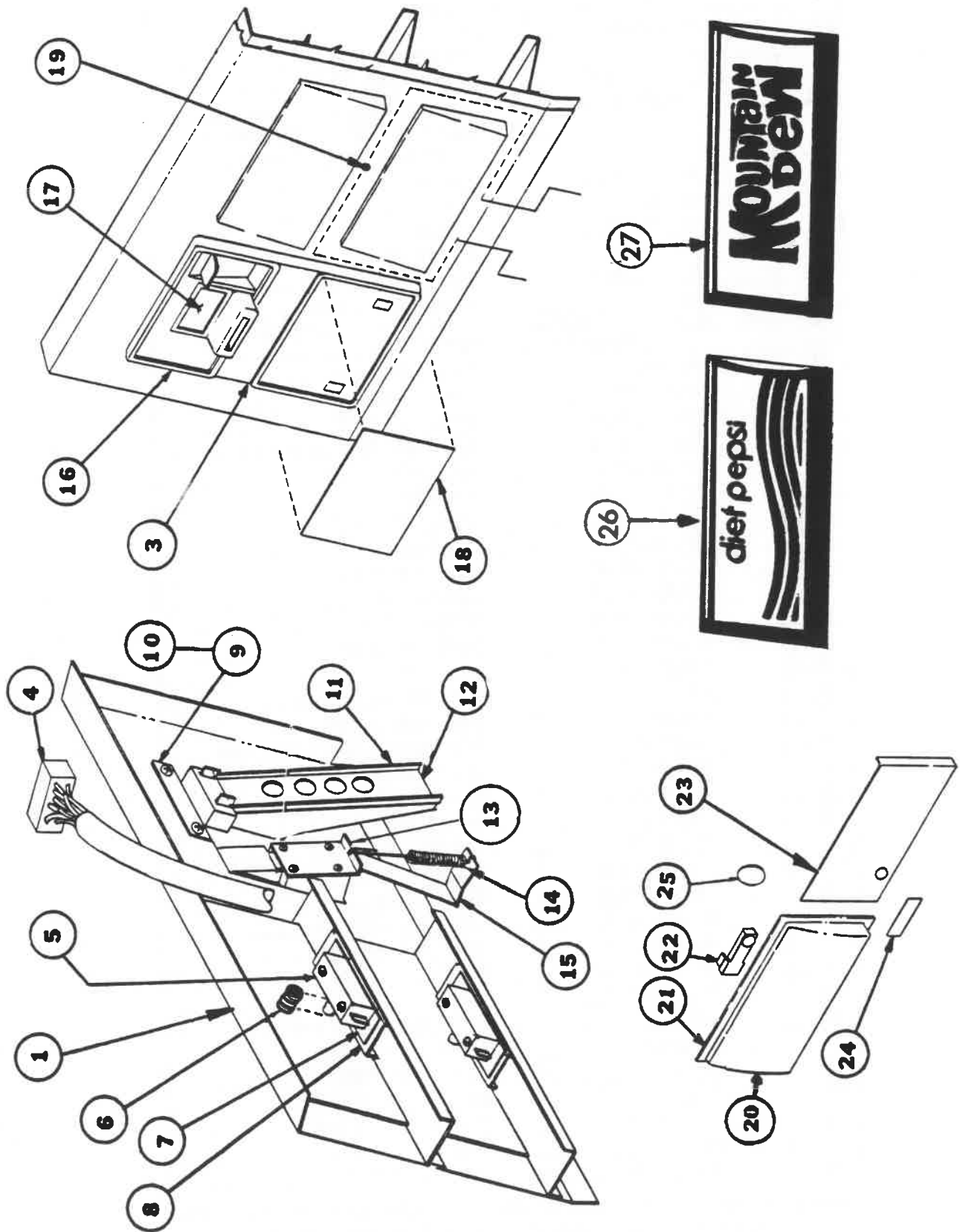


## INNER DOOR

DIXIE-NARCO

ITEM NO.	PART NUMBER	PART NAME AND DESCRIPTION
DCB156/93-6 - DCB228/132-6 - DCB264/156-6 - DCB318/183-6		
6	C154,050,101.43	Fluorescent Lamp Panel Ass'y.
7	804,800,410.01	Starter
8	A172,150,090.03	Gutter
9	804,400,100.01	Ballast
10	804,700,050.01	Fluorescent Lamp
11	C208,050,080.43	Pre-Cool Rack (Short)
12	NOT NEEDED	Pre-Cool Rack
DCB304/176-8 - DCB352/208-8 - DCB424/244-8		
6	C166,161,901.03	Fluorescent Lamp Panel Ass'y.
7	804,800,410.01	Starter
8	A176,150,320.03	Gutter
9	804,400,100.01	Ballast
10	804,700,150.01	Fluorescent Lamp
11	C208,050,080.43	Pre-Cool Rack (Short)
12	C211,050,080.33	Pre-Cool Rack (Long)
DCB156/93-6 - DCB228/132-6 - DCB264/156-6 - DCB318/183-6 - DCB304/176-8 DCB352/208-8 - DCB424/244-8		
13	900,300,040.01	Screw, S/M #8 x 3/4
14	904,900,710.01	Starter Socket
15	900,300,340.01	Screw, S/M #8 x 1/2
16	900,301,500.01	Screw, Self Drilling #8 x 1/2
17	900,300,040.01	Screw, S/M #8 x 3/4
18	904,901,230.01	Lamp Holder
19	900,300,040.01	Screw, S/M #8 x 3/4
20	A164,150,571.23	Wire Cover
21	900,600,230.02	Screw, S/M #8 x 1/2
22	A208,051,500.03	Sign Lead Ass'y.
23	904,600,710.01	Mate-N-Lok Plug
24	A176,150,210.33	Angle, Coin Chute
25	900,600,230.02	Screw, S/M #8 x 1/2
26	900,201,220.11	Screw Machine, #8 x 3/4
27	804,200,170.01	Relay, Plug in Type
28	904,600,620.01	Relay socket, Plug-in Type relay
29	904,600,600.01	Coin Changer Socket
30	801,804,300.01	Change Hopper
31	B176,150,290.23	Bracket, Relay Box
32	901,901,360.01	Snap Bushing
33	A176,150,240.13	Coin Deflector
35	A900,500,260.01	Shoulder Screw
36	A169,053,100.53	Burst Open Latch, S/A
37	801,804,210.01	Frame, Discharge Port
38	901,100,460.01	Pop Rivet
39	901,803,710.01	Nyliner
40	A169,051,101.33	Bottom Hinge, inner door
41	A169,053,000.93	Top Hinge, inner door
42	903,000,170.01	Washer - Top Hinge
43	900,900,960.02	Hex Nut - Top Hinge 10-32
44	801,804,200.01	Delivery Door, (Chute)
45	A169,050,530.83	Hinge Pin
46	900,800,580.01	Lock Nut - Elastic

WHEN ORDERING PARTS, INDICATE MODEL # AND SERIAL # OF VENDER.  
ALL PRICES ARE SUBJECT TO CHANGE WITHOUT NOTICE.

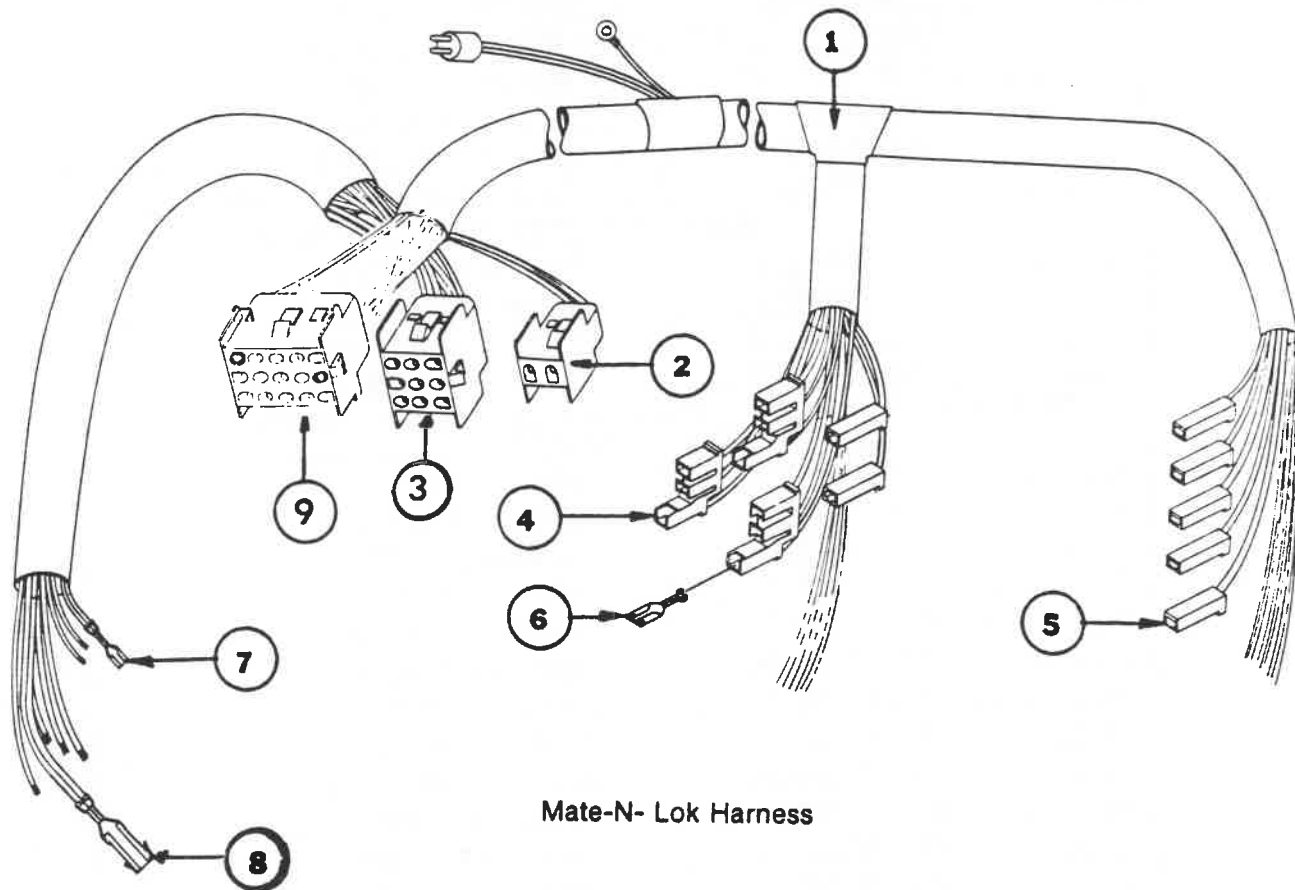


ITEM NO.	PART NUMBER	PART NAME AND DESCRIPTION
	DCB156/93-6 - DCB228/132-6 - DCB264/156-6 - DCB318/183-6	
1	C258,050,200.03	Selector Panel Ass'y.
2	C251,050,100.03	Selector Panel, W/A
3	D258,050,010.03	Cover, Selector Panel
4	C176,073,300.03	Wiring Harness, Selector Panel
	DCB304/176-8 - DCB352/208-8 - DCB424/244-8	
1	C242,050,200.03	Selector Panel Ass'y.
2	C241,050,300.03	Selector Panel W/A
3	D242,050,010.03	Cover, Selector Panel
4	C241,050,200.03	Wiring Harness, Selector Panel
	DCB156/93-6 - DCB228/132-6 - DCB264/156-6 - DCB318/183-6 - DCB304/176-8 DCB352/208-8 - DCB424/244-8	
5	804,100,400.01	Select Switch
6	A901,700,430.01	Spring, Select Switch
7	905,800,400.01	Insulator - Switch
8	A208,050,150.73	Support - Switch
9	A143,051,220.73	Retainer - Coin Insert
10	900,300,160.01	Screw, S/M #6 x 1/2
11	801,804,310.01	Coin Chute, Gray
12	801,804,320.01	Cover, Coin Chute, Gray
13	A208,050,120.33	Retainer - Coin Plunger
14	A901,700,630.01	Spring, Coin Plunger
15	B801,303,510.11	Coin Return Plunger
16	D801,200,920.21	Coin Insert - Only
17	A904,700,180.21	Correct Change Lamp
18	903,809,320.01	Instruction Label (Specify price)
19	901,100,500.01	Blind Rivet
20	A801,803,880.11	Select Button Ass'y. - PEPSI
21	A801,803,890.01	Select Button Ass'y. - PLAIN
22	804,700,210.01	Sold Out Lamp
23	903,807,690.01	Flavor Strip (Specify Flavor)
24	A903,805,040.01	Strip 12 oz. Cans
25	903,806,020.01	Identification Label, 1 thru 6
26	801,804,270.01	Select Button Ass'y. - DIET PEPSI
27	801,804,280.01	Select Button Ass'y. - MOUNTAIN DEW

WHEN ORDERING PARTS, INDICATE MODEL # AND SERIAL # OF VENDER.  
ALL PRICES ARE SUBJECT TO CHANGE WITHOUT NOTICE.

WIRING HARNESS — DOOR & CABINET

Parts



Mate-N- Lok Harness

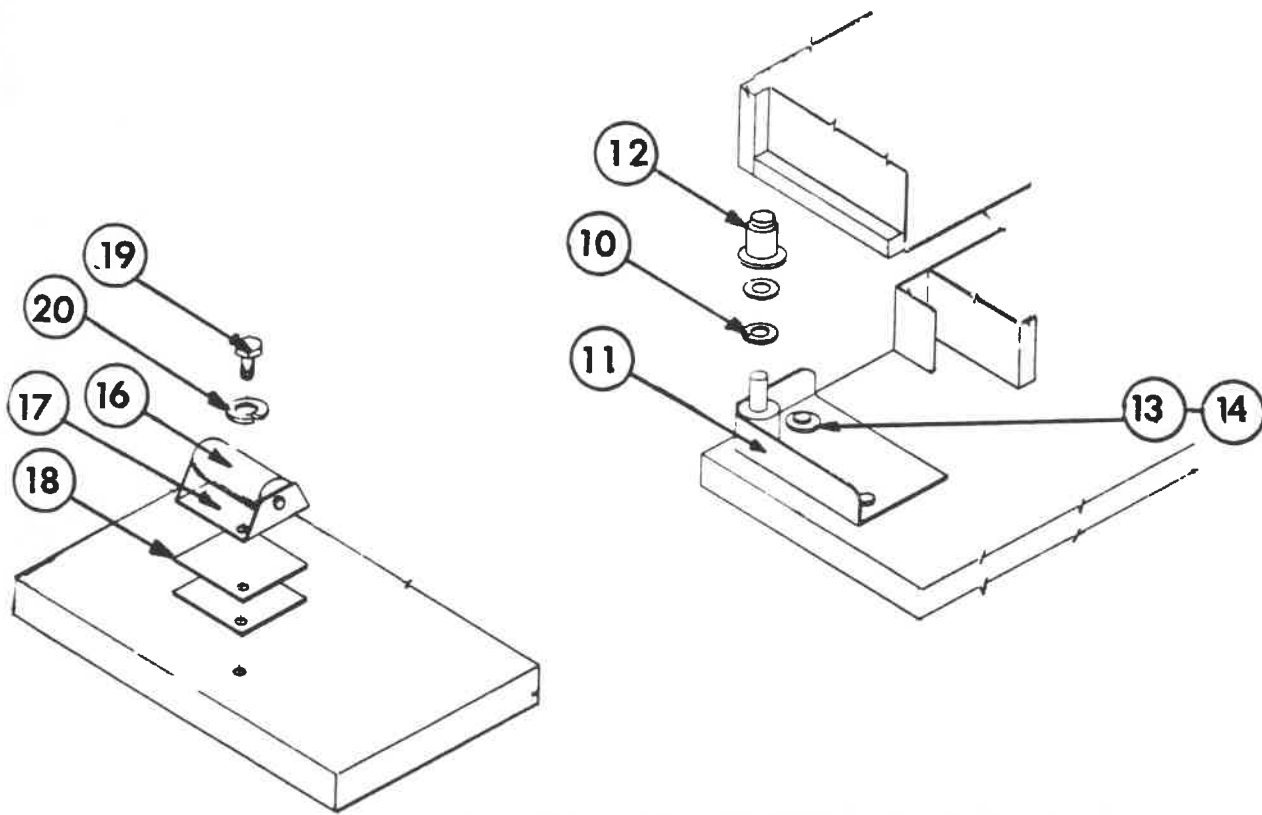
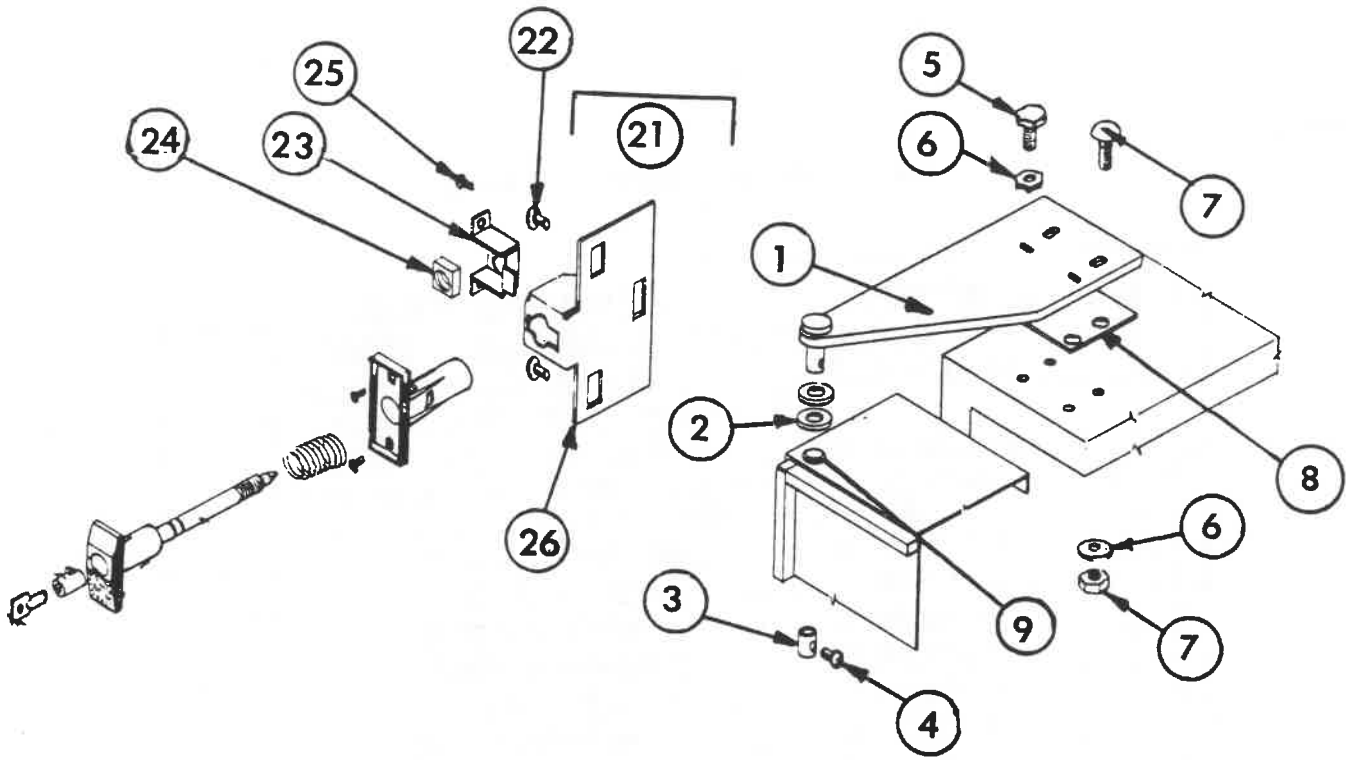
Parts List

WIRING HARNESS - DOOR AND CABINET

ITEM NO.	PART NUMBER	PART NAME AND DESCRIPTION
1	DCB156/93-6 - DCB228/132-6 - DCB264/156-6 - DCB318/183-6 F251,070,100.03	Wiring Harness, Door & Cabinet
1	DCB304/176-8 - DCB352/208-8 - DCB424/244-8 F241,070,100.03	Wiring Harness, Door & Cabinet
	DCB156/93-6 - DCB228/132-6 - DCB264/156-6 - DCB318/183-6 - DCB304/176-8 DCB352/208-8 - DCB424/244-8	
2	904,600,700.01	Mate-N-Lok Cap, 2-way
3	904,600,660.01	Mate-N-Lok Cap, 9-way
4	904,600,560.01	Receptacle Housing (187)
5	904,600,040.01	Receptacle Housing (250)
6	904,600,520.01	Faston Receptacle (187)
7	904,600,530.01	Faston Receptacle (187) 2 wire
8	904,600,380.01	Faston Receptacle (250) 2 wire
9	904,600,820.01	Mate-N-Lok Cap, 15-way

WHEN ORDERING PARTS INDICATE MODEL # AND SERIAL # OF VENDER.  
ALL PRICES SUBJECT TO CHANGE WITHOUT NOTICE.

HINGES ASSY. LIFTER & ROLLER



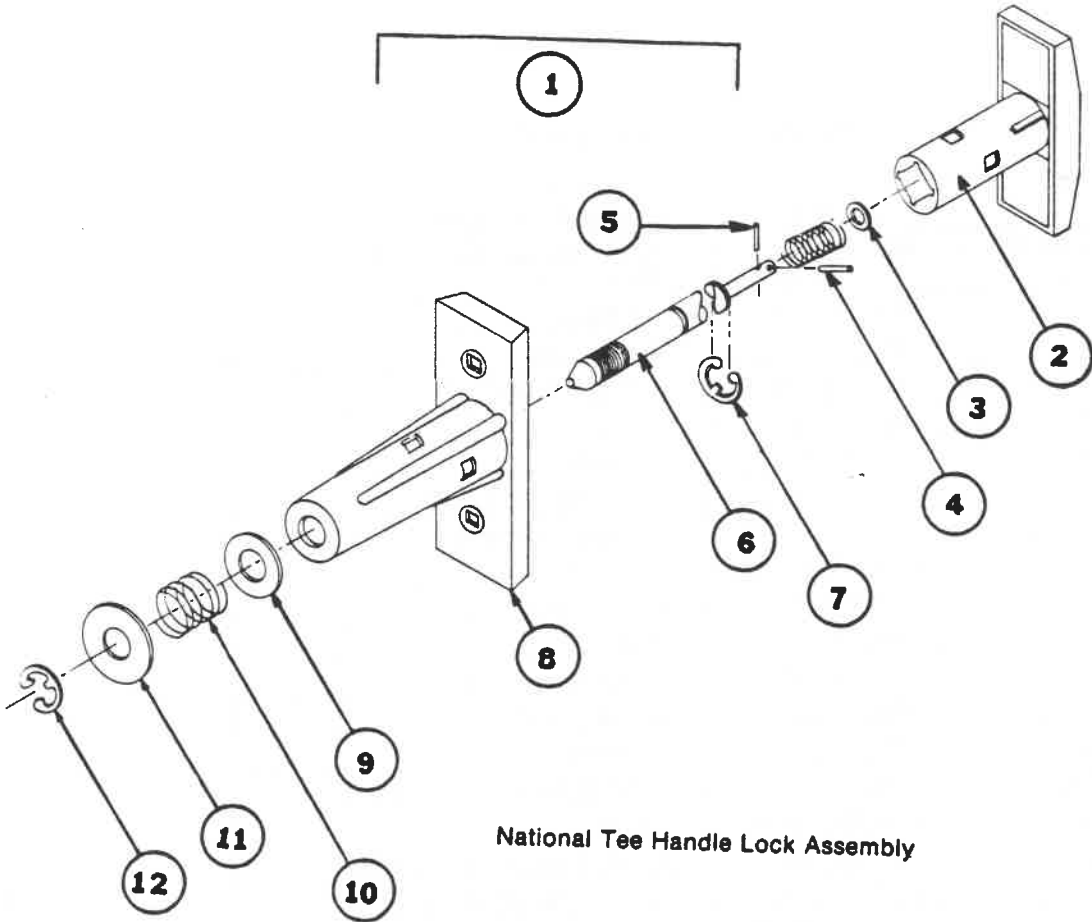
## HINGES ASSY. LIFTER &amp; ROLLER

ITEM NO.	PART NUMBER	PART NAME AND DESCRIPTION
DN168/99-6 - DN240/138-6 - DN276/162-6 - DN330/189-6 - DN320/184-8 DN368/216-8 - DN440/252-8		
1	B801,501,710.31	Top Hinge
2	900,700,600.01	Flat Washer
3	A800,502,030.01	Collar - Hinge Pin
4	A900,201,260.01	Lock Screw
5	900,900,470.02	Cap Screw
6	903,000,070.02	Lockwasher, 1/4 - 20
7	900,201,170.01	Carriage Bolt and Nut
8	A169,000,150.13	Hinge Spacer
9	801,803,150.01	Bearing Nyliner
10	900,700,530.01	Washer
11	B169,000,100.93	Bottom Hinge, W/A
12	A901,800,330.51	Flanged Bushing
13	900,700,710.01	Lockwasher
14	900,900,470.02	Screw Machine, 1/4 x 20 x 3/4
16	A801,801,330.51	Roller
17	A142,161,700.63	Assembly Lifter and Roller
18	A142,160,580.43	Spacer - Roller Bracket
19	900,200,290.01	Screw, Machine, 10-24 x 3/4
20	903,000,170.02	Lockwasher
21	B169,000,080.83	Latch Strike Assembly
22	900,900,470.02	Screw, Machine, 1/4-20 x 3/4"
23	B801,303,320.61	Nut - Housing
24	A900,800,570.11	Nut
25	900,301,560.01	Screw, Sems
26	B176,150,160.33	Nut Retainer Housing

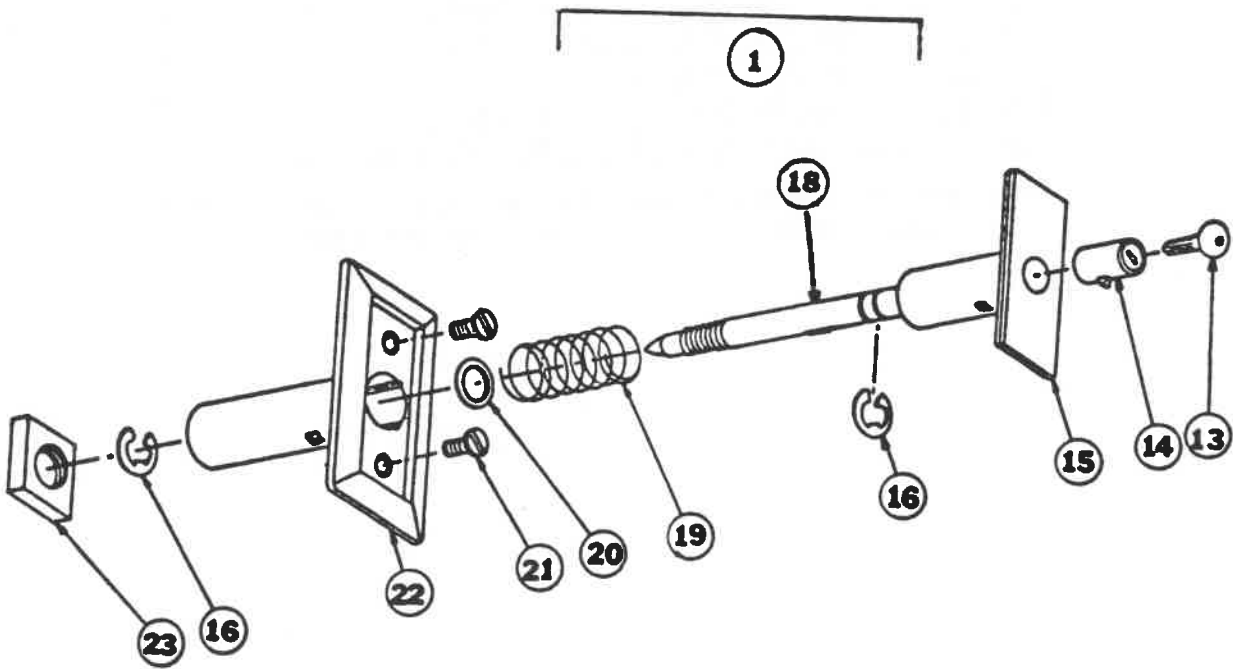
WHEN ORDERING PARTS, INDICATE MODEL # AND SERIAL # OF VENDER.  
ALL PRICES ARE SUBJECT TO CHANGE WITHOUT NOTICE.

PULL-OUT HANDLE

Parts



National Tee Handle Lock Assembly



Chicago Tee Handle Lock Assembly



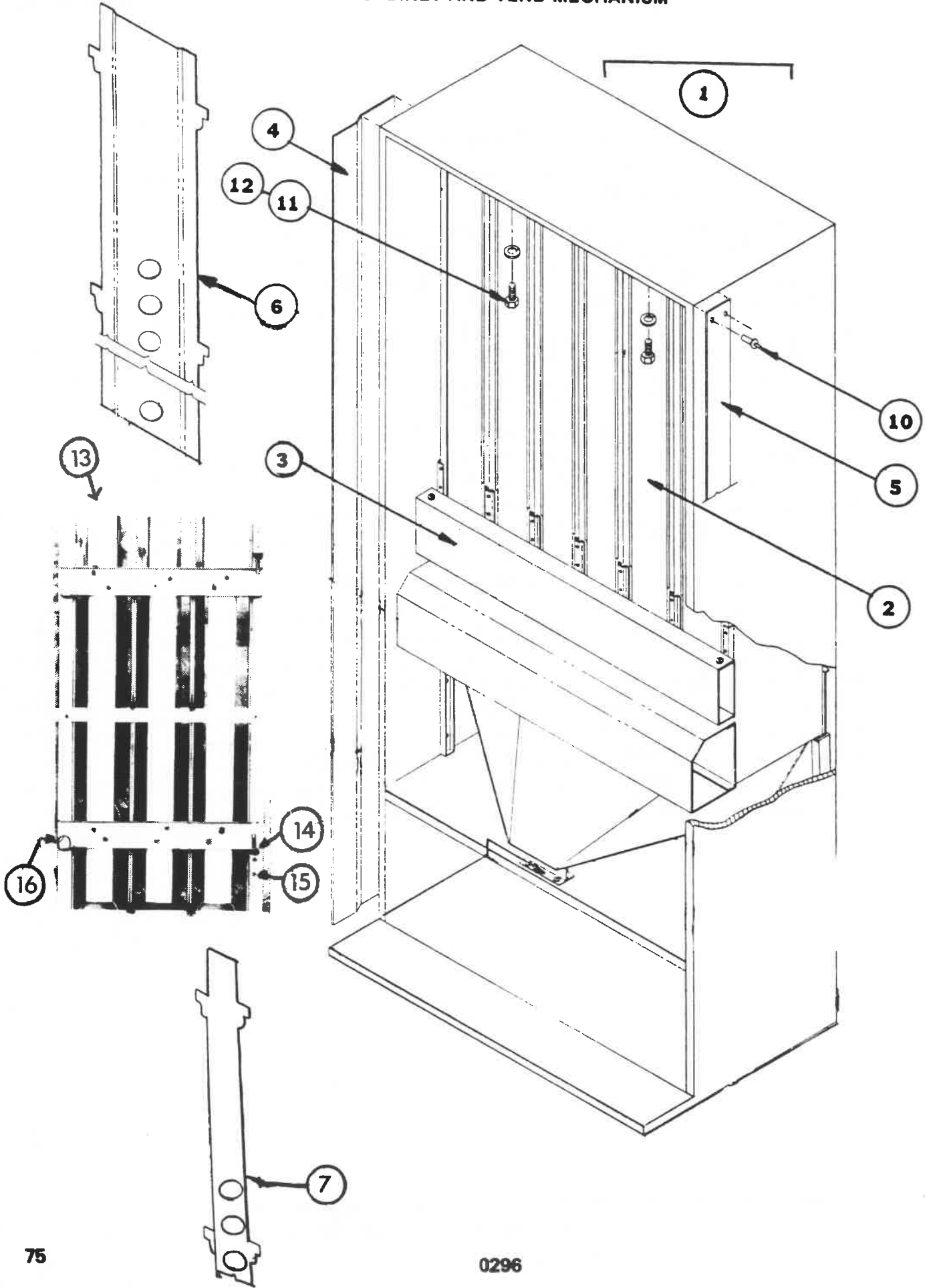
Parts List

## PULL-OUT HANDLE

ITEM NO.	PART NUMBER	PART NAME AND DESCRIPTION
	DCB 156/93-6 - DCB228/132-6 - DCB264/156-6 - DCB318/183-6 DCB304/176-8 - DCB352/208-8 - DCB424/244-8	
1	801,501,860.31	Pull Out Handle (complete)
2	NI-0472-103-6	Handle
3	NI-0472-255	Spring Support Washer
4	NI-0472-256	Pin
5	NI-0472-254	Pin
6	NI-0472-253-1	Spindle
7	NI-0472-132-1	Retaining Ring
8	NI-0472-102-6	Handle Pocket
9	NI-0472-133-1	Inside Washer
10	NI-0472-255-1	Spring
11	NI-0472-129-1	Washer
12	NI-0472-132-1	Retaining Ring
13		Key, Specify Key Number
14	801,501,470.01	Locks w/2 Keys
15	4265-2	Handle
16	31-5	C-Clip
18	4255-6-43W	Bolt Threaded, short
19	901,700,640.01	Spring
20	900,700,760.01	Washer
21	900,901,510.02	Screw, machine, 10-32 x 5/8
22	4265-1	Body
23	A900,800,570.11	Nut, Square, 1/2 x 13

WHEN ORDERING PARTS, INDICATE MODEL # AND SERIAL # OF VENDER  
ALL PRICES ARE SUBJECT TO CHANGE WITHOUT NOTICE.

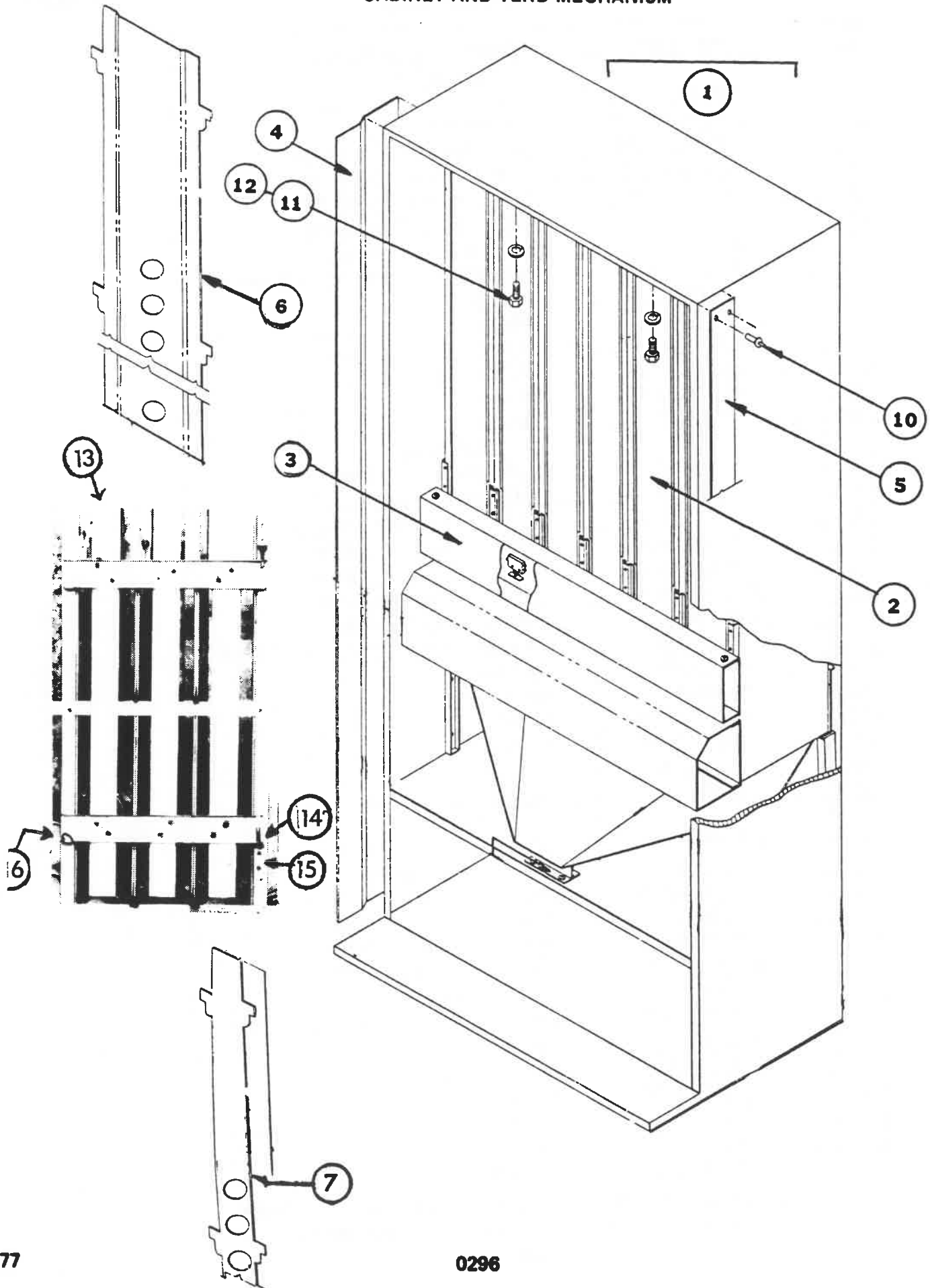
0296



## CABINET AND VEND MECHANISM

ITEM NO.	PART NUMBER	PART NAME AND DESCRIPTION
		DCB156/93-6
1	D154,060,001.73	Cabinet Ass'y., Less Stack
2	D214,070,000.13D	Vend Mechanism Complete
3	F237,071,000.03D	Stack w/Ass'y. w/Gate installed
4	C168,000,030.83	Protective Plate L.S. Cabinet
5	C168,000,040.83	Protective Plate R.S. Cabinet
6	C173,070,130.23	Bottle Guide Standard Column
7	C245,070,100.01	Bottle Guide Narrow Column
10	901,100,440.01	Drive Rivet 1/4 Protective Plate Cabinet
11	900,900,470.01	Cap Screw
12	903,000,070.01	Washer
13	C245,070,200.03	W/A Gate
14	A231,070,300.03	W/A Gate Hinge
15	901,100,390.01	Pop Rivet
16	A231,070,260.03	Gate Latch
		DCB228/132-7
1	D155,060,001.73	Cabinet Ass'y., Less Stack
2	D214,070,000.13C	Vend Mechanism Complete
3	F237,071,000.03C	Stack w/Ass'y. w/Gate Installed
4	C166,000,030.93	Protective Plate L.S. Cabinet
5	B166,000,040.83	Protective Plate R.S. Cabinet
6	C172,070,130.33	Bottle Guide Standard Column
7	C240,070,100.23	Bottle Guide Narrow Column
10	901,100,440.01	Drive Rivet 1/4 Protective Plate Cabinet
11	900,900,470.01	Cap Screw
12	903,000,070.01	Washer
13	C237,070,500.03	W/A Gate
14	A231,070,300.03	W/A Gate Hinge
15	901,100,390.01	Pop Rivet
16	A231,070,260.03	Gate Latch
		DCB264/156-6
1	D215,060,000.23	Cabinet Ass'y., Less Stack
2	D214,070,000.13B	Vend Mechanism Complete
3	F237,071,000.03B	Stack w/Ass'y. w/Gate Installed
4	C165,000,030.73	Protective Plate L.S. Cabinet
5	B165,000,040.73	Protective Plate R.S. Cabinet
6	C165,070,331.03	Bottle Guide Standard Column
7	C239,070,100.23	Bottle Guide Narrow Column
10	901,100,440.01	Drive Rivet 1/4 Protective Plate Cabinet
11	900,900,470.01	Cap Screw
12	903,000,070.02	Washer
13	C237,070,500.03	W/A Gate
14	A231,070,300.03	W/A Gate Hinge
15	901,100,390.01	Pop Rivet
16	A231,070,260.03	Gate Latch

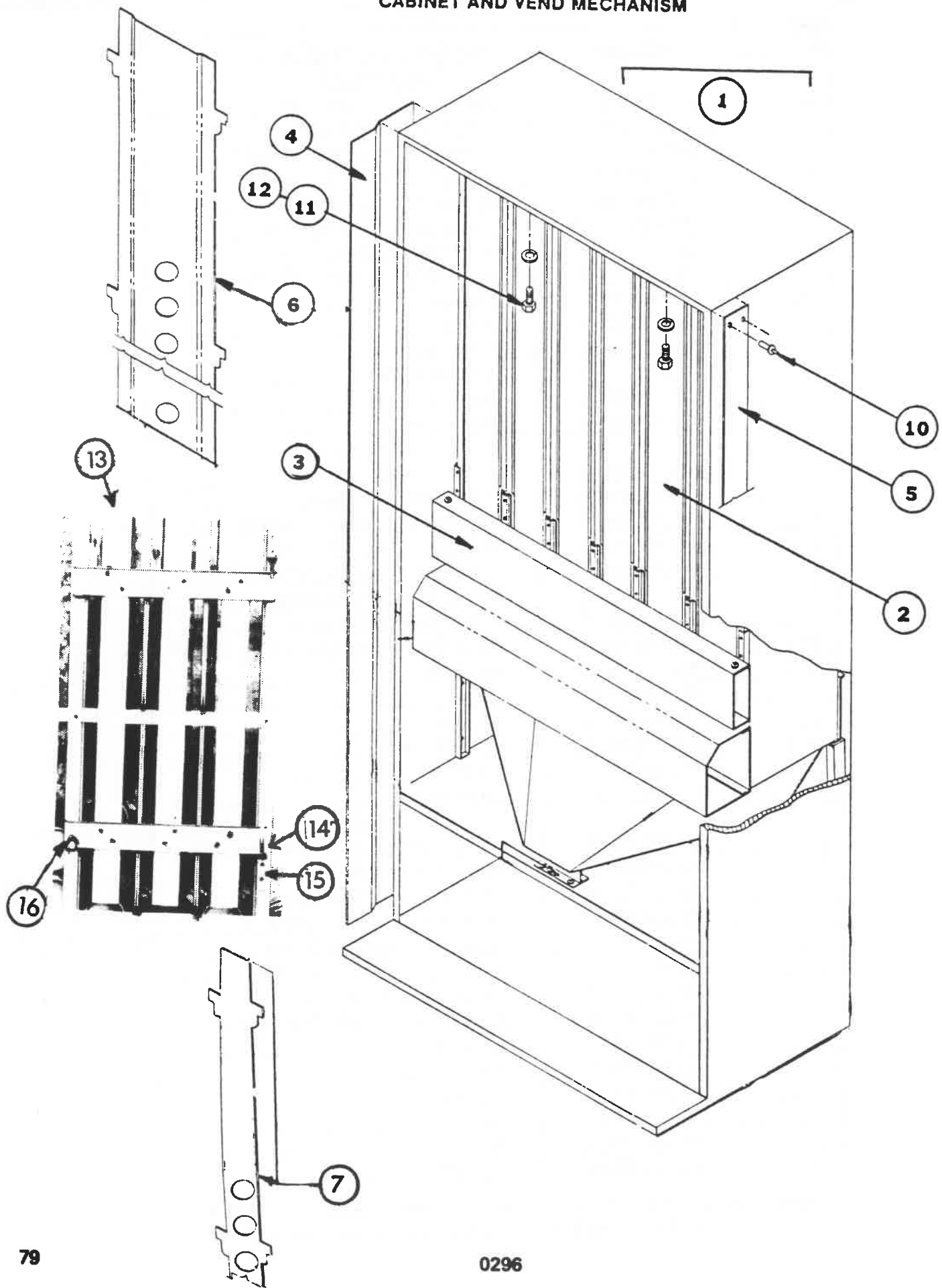
WHEN ORDERING PARTS, INDICATE MODEL # AND SERIAL # OF VENDER.  
ALL PRICES ARE SUBJECT TO CHANGE WITHOUT NOTICE.



## CABINET AND VEND MECHANISM

ITEM NO.	PART NUMBER	PART NAME AND DESCRIPTION
		DCB318/183-6
1	D156,060,001.53	Cabinet Ass'y., less Stack
2	D214,070,000.13A	Vend Mechanism Complete
3	D237,071,000.03A	Stack w/Ass'y. w/Gate Installed
4	C164,000,030.93	Protective Plate L.S. Cabinet
5	B164,000,040.93	Protective Plate R.S. Cabinet
6	C164,070,331.23	Bottle Guide Standard Column
7	C231,070,500.23	Bottle Guide Narrow Column
10	901,100,440.01	Drive Rivet 1/4 Protective Plate Cabinet
11	900,900,470.01	Cap Screw
12	903,000,070.02	Washer
13	C237,070,500.03	W/A Gate
14	A231,070,300.03	W/A Gate Hinge
15	901,100,390.01	Pop Rivet
16	A231,070,260.03	Gate Latch
		DCB304/176-8
1	D166,060,001.13	Cabinet Ass'y., less Stack
2	C211,070,000.03C	Vend Mechanism Complete
3	F231,071,000.03C	Stack w/Ass'y. w/Gate Installed
4	C166,000,030.93	Protective Plate L.S. Cabinet
5	B166,000,040.83	Protective Plate R.S. Cabinet
6	C172,070,130.33	Bottle Guide Standard Column
7	C240,070,100.23	Bottle Guide Narrow Column
10	901,100,440.01	Drive Rivet 1/4 Protective Plate Cabinet
11	900,900,470.01	Cap Screw
12	903,000,070.01	Washer
13	A231,070,100.03	W/A Gate
14	A231,070,300.03	W/A Gate Hinge
15	901,100,390.01	Pop Rivet
16	A231,070,260.03	Gate Latch
		DCB352/208-8
1	D165,060,001.23	Cabinet Ass'y., Less Stack
2	C211,070,000.03B	Vend Mechanism Complete
3	F231,071,000.03B	Stack w/Ass'y. w/Gate installed
4	C165,000,030.73	Protective Plate L.S. Cabinet
5	B165,000,040.73	Protective Plate R.S. Cabinet
6	C165,070,331.03	Bottle Guide Standard Column
7	C239,070,100.23	Bottle Guide Narrow Column
10	901,100,440.01	Drive Rivet 1/4 Protective Cabinet
11	900,900,470.01	Cap Screw
12	903,000,070.02	Washer
13	A231,070,100.03	W/A Gate
14	A231,070,300.03	W/A Gate Hinge
15	901,100,390.01	Pop Rivet
16	A231,070,260.03	Gate Latch

WHEN ORDERING PARTS, INDICATE MODEL # AND SERIAL # OF VENDER.  
ALL PRICES ARE SUBJECT TO CHANGE WITHOUT NOTICE.

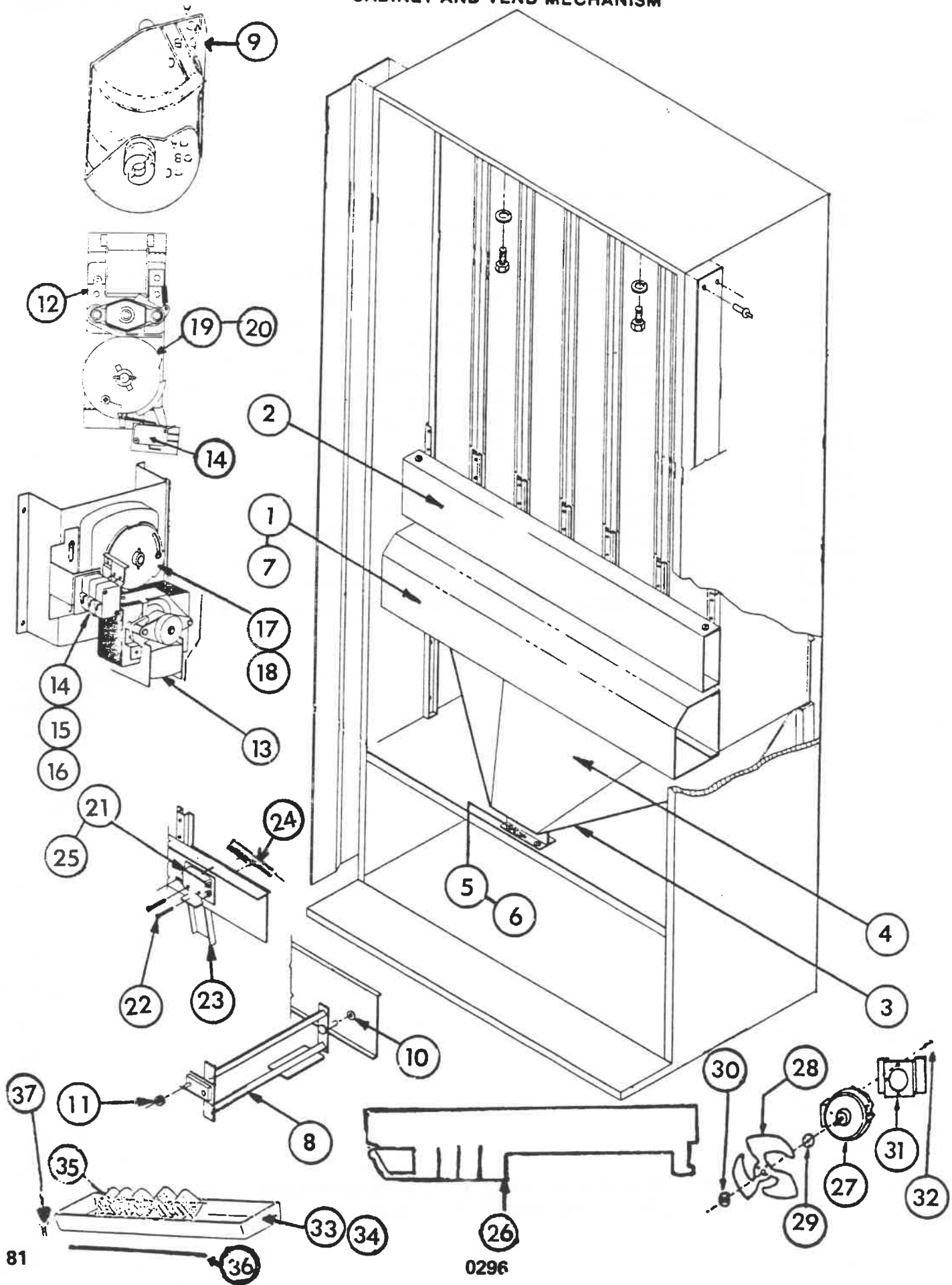


## Parts List

## CABINET AND VEND MECHANISM

ITEM NO.	PART NUMBER	PART NAME AND DESCRIPTION
		DCB424/244-8
1	D164,060,001.23	Cabinet Ass'y., Less Stack
2	C211,070,000.03A	Vend Mechanism Complete
3	F231,070,000.03A	Stack w/Ass'y. w/Gate Installed
4	C164,000,030.93	Protective Plate L.S. Cabinet
5	B164,000,040.93	Protective Plate R.S. Cabinet
6	C164,070,331/23	Bottle Guide Standard Column
7	C231,070,500.23	Bottle Guide Narrow Column
10	901,100,440.01	Drive Rivet 1/4 Protective Plate Cabinet
11	900,900,470.01	Cap Screw
12	903,000,070.02	Washer
13	A231,070,100.03	W/A Gate
14	A231,070,300.03	W/A Gate Hinge
15	901,100.390.01	Pop Rivet
16	A231,070,260.03	Gate Latch

WHEN ORDERING PARTS, INDICATE MODEL # AND SERIAL # OF VENDER.  
ALL PRICES ARE SUBJECT TO CHANGE WITHOUT NOTICE.



81

0296



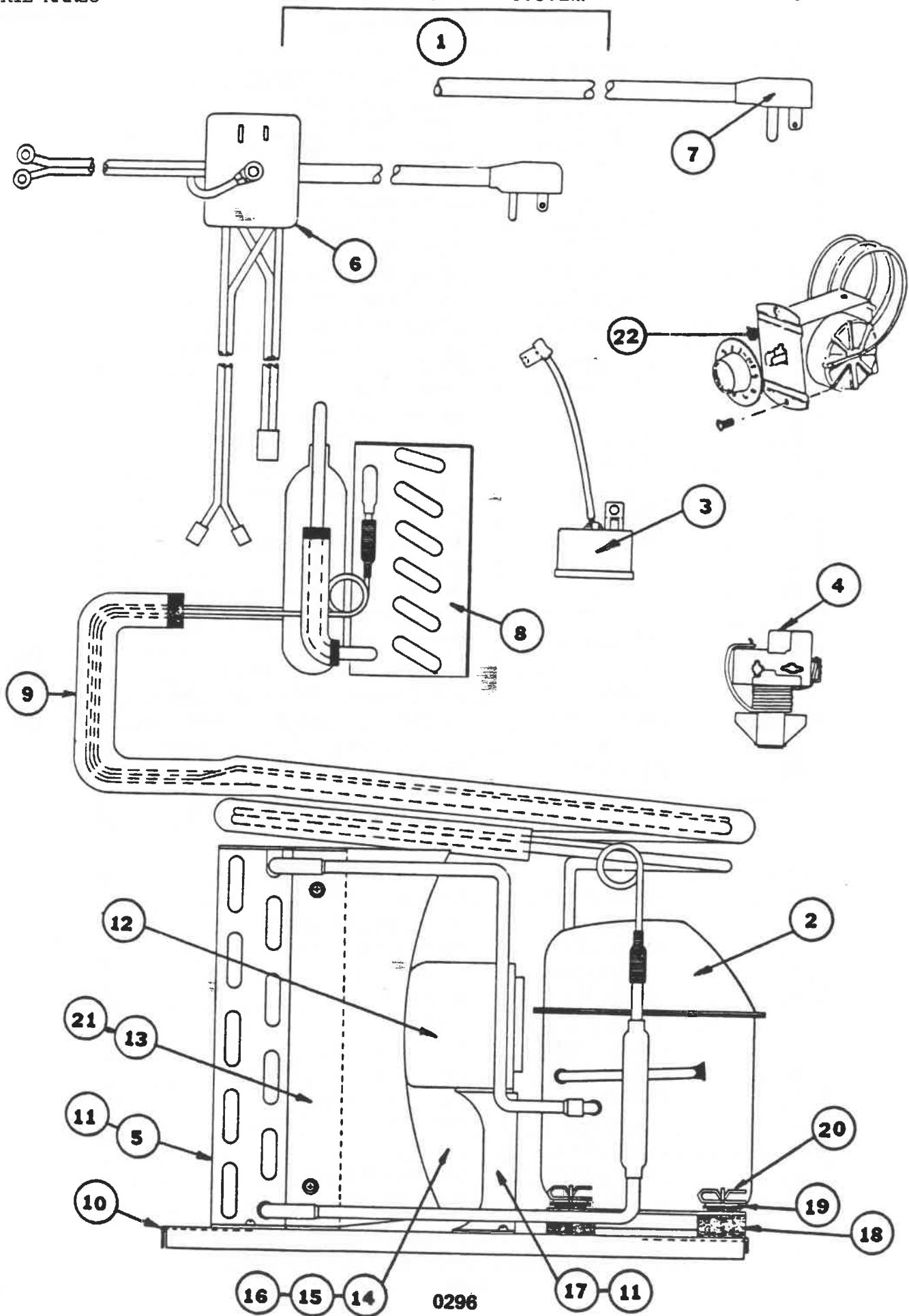
## CABINET AND VEND MECHANISM

ITEM NO.	PART NUMBER	PART NAME AND DESCRIPTION
DCB156/93-6 - DCB228/132-6 - DCB264/156-6 - DCB318/183 6		
1	B237,070,250.03	Cover, Vend Motor
2	B237,070,080.03	Cover, Sold Out Switch, S/A
3	C208,070,100.43	Can & Bottle Chute Ass'y. (Complete)
4	D208,070,020.43	Liner Only, Chute
DCB352/208-8 - DCB304/176-8 - DCB424/244-8		
1	C176,070,250.03	Cover, Vend Motor
2	B231,070,220.03	Cover, Sold Out Switch, S/A
3	C211,070,100.13	Can & Bottle Chute Ass'y. (Complete)
4	B211,070,020.23	Liner Only, Chute
DCB156/93-6 - DCB228/132-6 - DCB264/156-6 - DCB318/183-6 - DCB304/176-8 DCB352/208-8 - DCB424/244-8		
5	B147,074,400.73	Bracket Chute
6	900,900,960.02	Hex Nut - 10-32 (Chute)
7	900,301,560.01	Screw Sems - (Cover, Vend Motor)
8	801,200,940.11	Oscillator Standard Stack
9	801,200,980.21	Vend Rotor (Narrow Column)
10	801,803,170.01	Nyliner (rear stack)
11	801,804,230.01	Nyliner (Oscillator front)
12	C231,070,400.03	Vend Motor (Narrow Column)
13	179,070,600.33	Vend Motor (Red Cam Standard Column)
14	804,100,500.01	Cluster Switch, Vend Motor
15	900,301,610.01	Screw, Vend Motor Switch
16	905,800,330.01	Insulator - Vend Motor Switch
17	C801,804,090.21	Vend Motor Cam - (RED) Standard Stack
18	C801,804,000.41	Adjustable Cam - (WHITE) Standard Stack
19	C801,804,290.01	Adjustable Cam - (RED) Narrow Column
20	C801,804,090.01	Cam, Vend Motor (Narrow Column)
21	804,100,490.01	Switch, Sold Out Cluster
22	900,301,670.01	Screw, Sold Out Switch #4 x 1 1/4"
23	C231,070,170.43	Paddle, Sold Out Switch
24	901,700,630.01	Spring, Sold Out Paddle
25	801,804,350.01	Insulator, Switch
26	C801,804,390.21	Shims, 12oz. Can (Plastic)
27	B143,000,301.03	Fan Motor S/A - Evap.
28	901,303,270.01	Fan Balde -- Evap.
29	900,100,970.02-2	Silencer
30	900,100,970.02-1	Speed Nut
31	B164,040,080.63	Bracket, Fan Motor
32	900,300,320.01	Screw, Self Tapping (10-24)
33	B169,000,200.63	Ass'y. Pan & Soaker
34	C801,804,240.11	Condensate Pan (Only Black)
35	901,900,020.01	Soakers
36	901,900,020.01	Rod, for Soaker 14"
37	900,301,650.01	Screw, Self Drilling

WHEN ORDERING PARTS, INDICATE MODEL # AND SERIAL # OF VENDER.  
ALL PRICES ARE SUBJECT TO CHANGE WITHOUT NOTICE.

REFRIGERATION SYSTEM

Parts



## REFRIGERATION SYSTEM

DIXIE-NARCO

ITEM NO.	PART NUMBER	PART NAME AND DESCRIPTION
	DCB156/93-6 - DCB228/132-6	
1	D142,040,002.43	Refrigeration System Complete, Model 400
2	802,500,110.01	Compressor, Model AE3430A Tecumseh
2	802,500,110.01	Compressor, 1/4 H.P. Americold
3	83458	Overload for AE3430A compressor Tecumseh
*	(SPMRP-26 ALL-34)	Overload for AE3430A compressor Tecumseh
3	1456-3163	Overload for 1/4 H.P. Americold
*	MST22ALK-319	Overload for 1/4 H.P. Americold
4A	82684	Relay for AE3430A Compressor Tecumseh
*	(SP9660-040-176)	Relay for AE3430A Compressor Tecumseh
4B	82483	Relay for AE3430A Compressor Tecumseh
*	(GE3ARR12-PB162)	Relay for AE3430A Compressor Tecumseh
4	1456-3164	Relay for 1/4 H.P. Americold
*	3CR-203-180	Relay for 1/4 H.P. Americold
5	C808,600,540.02	Condenser
	DCB264/156-6 - DCB318/183-6 - DCB304/176-8 - DCB252/208-8 DCB424/244-8	
1	D143,040,402.13	Refrigeration System Complete, Model 300
2	802,500,170.01	Compressor, Model AE3440A Tecumseh
3	TEC8300MRTA78	Overload for AE3440A compressor Tecumseh
*	(SPMRT-22AIN-34)	Overload for AE3440A Compressor Tecumseh
4A	TEC8209660A09	Relay for AE3440A Compressor Tecumseh
*	(SP9660-040-182)	Relay for AE3440A Compressor Tecumseh
4B	820RRI2A10	Relay for AE3440A Compressor Tecumseh
*	(GE3ARR12-PB220)	Relay for AE3440A Compressor Tecumseh
5	D808,700,090.02	Condenser
	DCB156/93-6 - DCB228/132-6 - DCB264/156-6 - DCB318/183-6 - DCB304/176-8 DCB252/208-8 - DCB424/244-8	
6	C804,900,601.51	Main Wiring Harness
7	A904,900,610.81	Compressor Lead w/plug
8	B802,600,370.51	Evaporator
9	903,300,530.01	Insulator Tube
10	C164,040,120.43	Base Plate - Condensing Unit
11	900,301,560.01	Screw Sems
12	802,302,120.02	Fan Motor
13	902,100,160.02	Shroud
14	900,103,370.02	Fan Blade
15	900,100,970.02-2	Silencer
16	900,100,970.02-1	Speed Nut
17	900,102,970.02	Fan Bracket
18	902,000,570.01	Grommet, Compressor Mounting
19	A901,803,910.11	Plug, Compressor Grommet
20	A900,901,880.01	Retainer Clip, Compressor Mounting
21	900,300,160.01	Screw, S/M #6 x 3/8
22	802,800,090.01	Temperature Control

\*Relative to Relays & Overloads, the numbers that appear in parenthesis ( ) are always stamped on the Relay & Overload. Either # can be used for ordering purposes.  
WHEN ORDERING PARTS, INDICATE MODEL # AND SERIAL # OF VENDER.  
ALL PRICES ARE SUBJECT TO CHANGE WITHOUT NOTICE.

